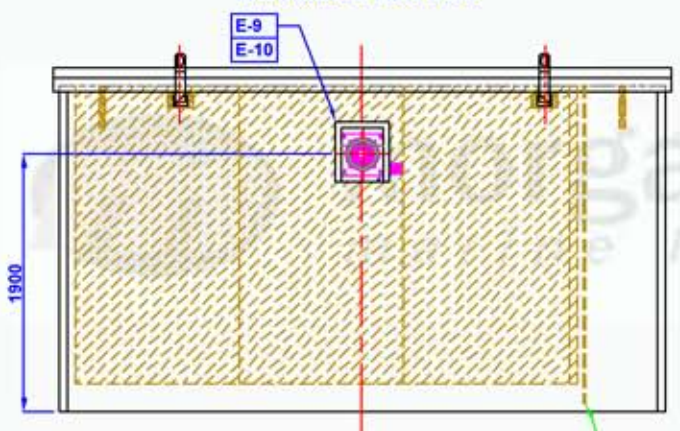
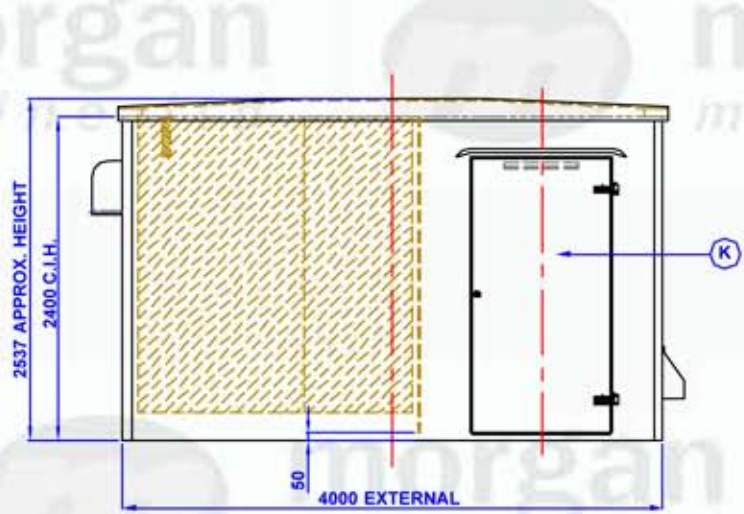


EXTERNAL PLAN VIEW

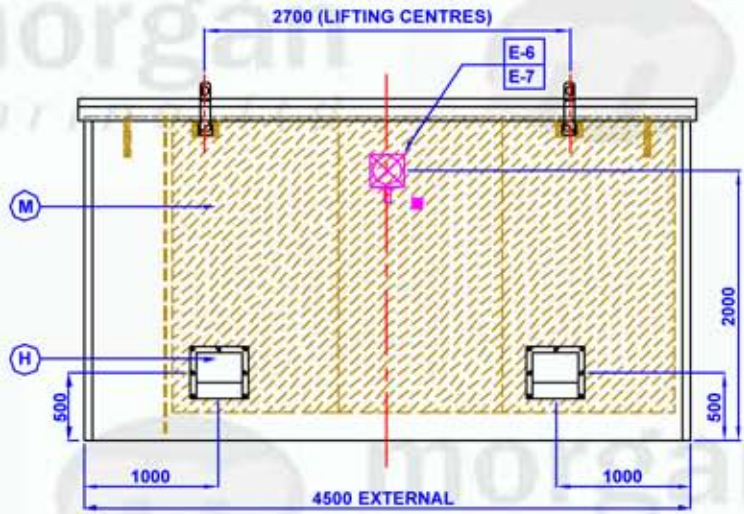


EXTERNAL VIEW WALL 3

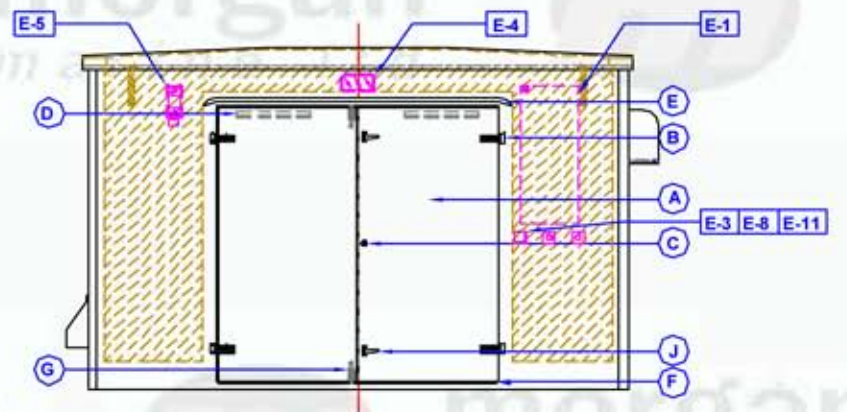
PLEASE INDICATE IF ENCLOSURE WILL BE INSTALLED ON A STEPPED BASE? THIS WILL EFFECT THE HEIGHT OF THE PARTITION.



EXTERNAL VIEW WALL 2



EXTERNAL VIEW WALL 1



EXTERNAL VIEW WALL 4